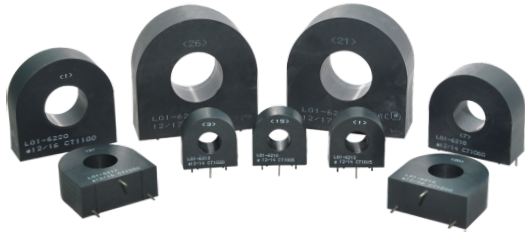


50/60HZ PCB MOUNTABLE CURRENT TRANSFORMERS - ECONOMIC STANDARD ACCURACY CT

L01-62XX Series current sensors operate as encapsulated secondary of a current transformer used for measuring primary current. By increasing no. of primary turns accuracy can be improve.



Features :

- Current range upto 200A, AC 50/60 Hz
- Fully Encapsulated and resin filled
- Primary - Secondary insulation of 2500VAC
- Very reliable and stable performance at different temperature conditions
- Operating Temperature range : - 40°C to +120°C
- Excellent Quality at competitive price
- Manufactured in an ISO-9001:2008 and ISO-14001-2004 Certified GT facility
- Fully RoHS compliant



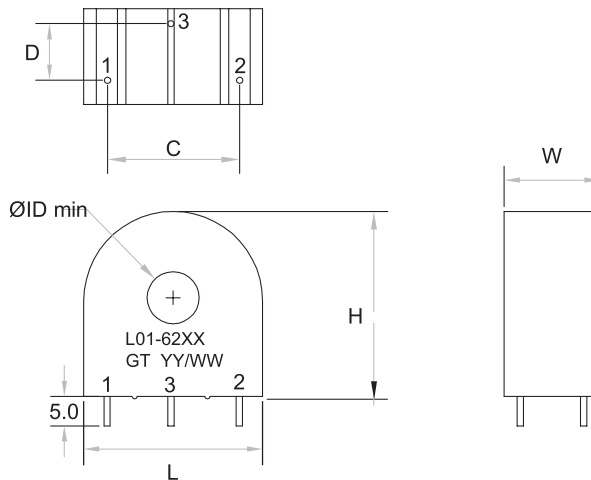
Applications:

- Over Load Current Sensing
- Metering and Ground fault detection
- Analog to Digital Circuit

I_p : Primary Current
 R_L : Terminating Resistor
 RCF : Ratio Correction Factor

Terminal Diameter:

L01-6210 to L01-6213 - \varnothing 0.8
 L01-6214 to L01-6222 - \varnothing 1.0



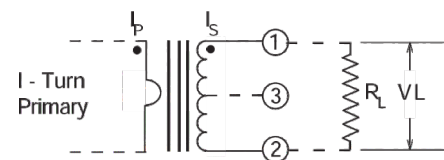
All dimensions are in mm

Electrical specification @25°C

Part Number	I_p Amps	Turns ratio	Terminating Resistor		DCR (Ohms)	RCF	Volts / Amp @rated I_p for Various Loads (Ohms)				μ Arms	Vrms	Net Weight (gram)	Case Dimensions - mm					
			Ohms	Watt			Nominal	@10%	100	500				2K	5K	L	ID	H	W
L01-6210	5	1000:1	100	0.0025	41.80	1.01	0.10	0.46	1.43	2.01	237	0.66	16.30	23.80	9.50	23.80	11.12	15.24	7.62
L01-6211	10	1000:1	100	0.0100	41.80	1.01	0.10	0.45	1.1	1.42	386	1.32	16.30	23.80	9.50	23.80	11.12	15.24	7.62
L01-6212	15	1000:1	100	0.0230	41.80	1.01	0.10	0.45	0.9	1.12	513	1.99	16.30	23.80	9.50	23.80	11.12	15.24	7.62
L01-6213	20	1000:1	100	0.0400	41.80	1.01	0.10	0.43	0.76	0.93	628	2.65	16.30	23.80	9.50	23.80	11.12	15.24	7.62
L01-6214	25	1000:1	100	0.0630	48.00	1.02	0.10	0.47	1.06	1.31	566	3.65	35.50	30.20	11.40	30.20	14.30	20.32	10.16
L01-6215	30	1000:1	100	0.0900	48.00	1.02	0.10	0.47	0.95	1.16	644	4.38	35.50	30.20	11.40	30.20	14.30	20.32	10.16
L01-6216	40	1000:1	100	0.1600	49.30	1.026	0.10	0.46	0.87	1.05	914	5.82	47.30	34.90	14.60	34.90	14.30	25.40	10.16
L01-6217	50	1000:1	100	0.2500	49.30	1.026	0.10	0.43	0.76	0.9	1090	7.28	47.30	34.90	14.60	34.90	14.30	25.40	10.16
L01-6218	60	1000:1	100	0.3600	24.00	1.001	0.10	0.44	0.66	0.76	1250	7.41	65.20	38.10	14.60	38.10	15.90	33.00	10.16
L01-6219	75	1000:1	100	0.5700	24.00	1.001	0.10	0.39	0.57	0.65	1520	9.26	65.20	38.10	14.60	38.10	15.90	33.00	10.16
L01-6220	100	1000:1	100	1.0000	21.30	1.001	0.10	0.34	0.5	0.56	1740	12.00	80.00	44.50	19.05	44.50	14.30	35.56	10.16
L01-6221	150	1000:1	100	2.2500	11.00	1.002	0.10	0.37	0.5	0.55	1820	16.60	150.00	55.60	23.80	55.60	20.60	45.72	12.70
L01-6222	200	1000:1	100	4.0000	11.00	1.002	0.10	0.31	0.41	0.45	2340	22.20	150.00	55.60	23.80	55.60	20.60	45.72	12.70

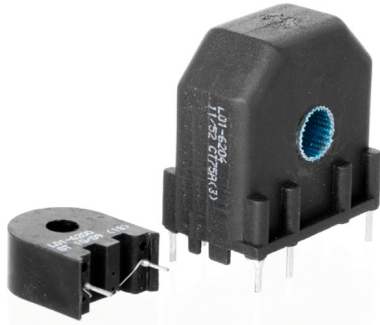
Notes:

- 1) Terminating resistor and the one-turn primary are available if requested.
- 2) Each Model adjusted to be most accurate at specified load.
- 3) Pin 3 for mechanical support only.
- 4) More details on request or in the single data sheet



50/60HZ PCB MOUNTABLE CURRENT TRANSFORMERS - L01-620X SERIES

L01-62XX Series current sensors operate as encapsulated secondary of a current transformer used for measuring primary current. By increasing no. of primary turns accuracy can be improve.



Features :

- Current range upto 100A, AC 50/60 Hz
- Fully Encapsulated and resin filled
- Primary - Secondary insulation of 2500VAC
- Very reliable and stable performance at different temperature conditions
- Operating Temperature range : - 40°C to +120°C
- Excellent Quality at competitive price
- Manufactured in an ISO-9001:2008 ,and ISO-14001-2004 Certified GT facility
- Fully RoHS compliant

Applications :

- Detection of branch circuit overload
- Detection of Load drop or shutdown

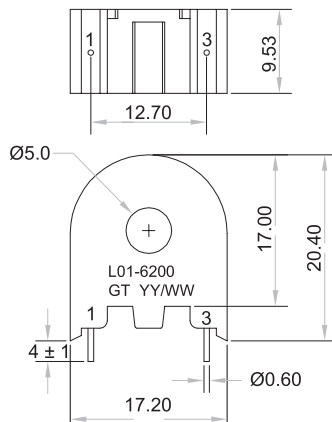
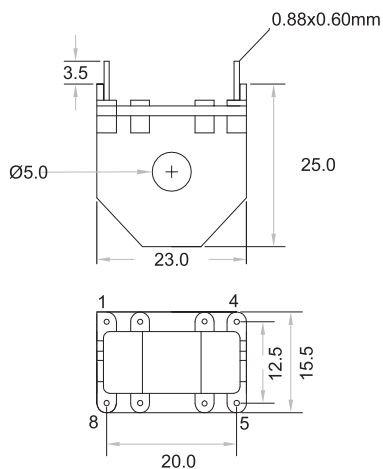


Figure : 1

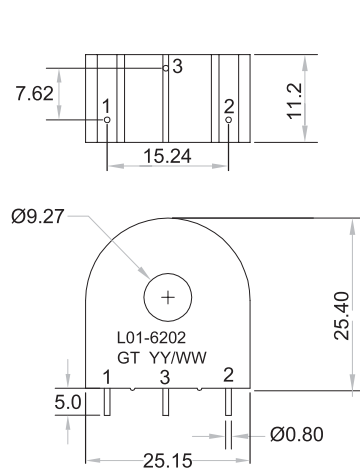
Electrical specification @25°C

Part Number	Current Range	Output Voltage @ Imax (Tolerance ± 10%)	Load Resistant in Ohms	Figure No.
L01-6200	1-10 Amps	33,3mV	50	1
L01-6201	1-20 Amps	58,3 mV	50	2
L01-6202	1-30 Amps	55 mV	220	3
L01-6203	5-50 Amps	100 mV	220	4
L01-6204	5-75 Amps	119,5 mV	220	4
L01-6205	5-100 Amps	128 mV	220	4



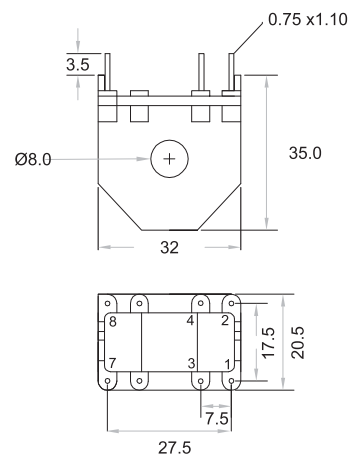
Note : Pin #1 and 8 are blank

Figure : 2



Note : Pin #3 is blank

Figure : 3



Note : Pin #3, 4, 7 and 8 are black

Figure : 4

All dimensions are in mm / Linear dimensional tolerance ± 0.2mm