

High Output - Current Transformer

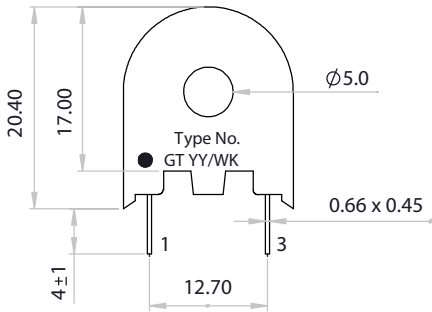
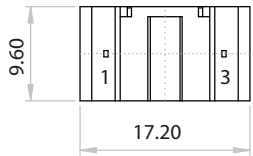


Features:

- ◆ Primary Current Range from 5A to 15A
- ◆ Operating Frequency 50 / 60Hz
- ◆ Higher Output voltage
- ◆ Higher Saturation Current
- ◆ Dielectric Withstand Voltage 2.5kVrms
- ◆ Operating temperature range -40°C to +120°C
- ◆ Encapsulated & PCB Mountable
- ◆ All materials are UL approved



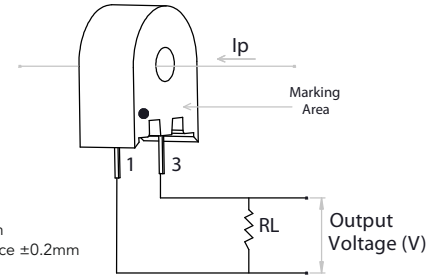
Mechanical Drawing



Electrical Specification @ 20°C			
Part Number	Turns Ratio	Current Rating in Amps	Winding Resistance in Ω
L01-6500	500:1	5.0	41
L01-6501	750:1	7.5	58
L01-6502	1000:1	10.0	109
L01-6503	1500:1	15.0	117

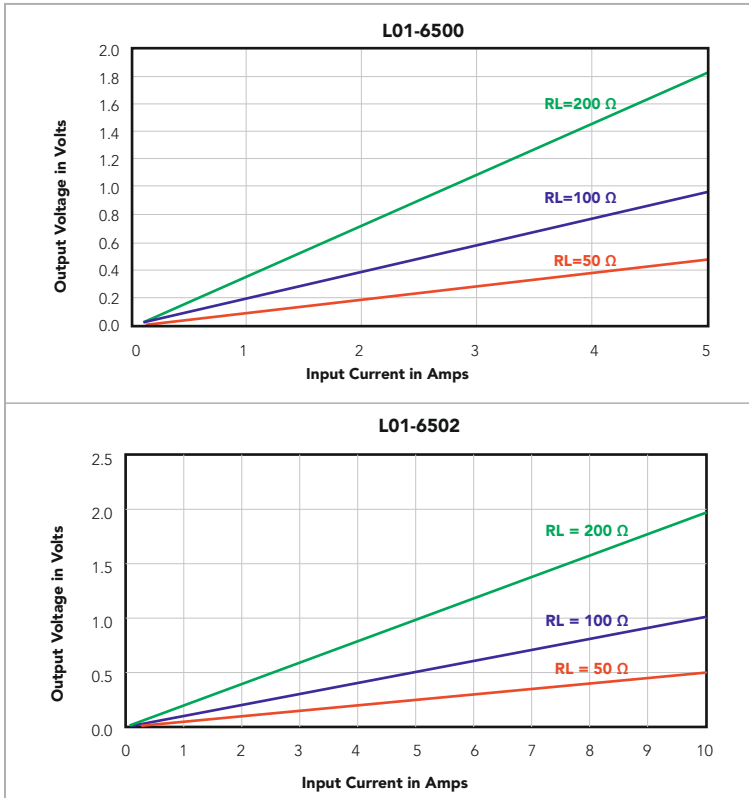
Application :

- ◆ Metering and energy Management
- ◆ Control Panel and Power Monitoring



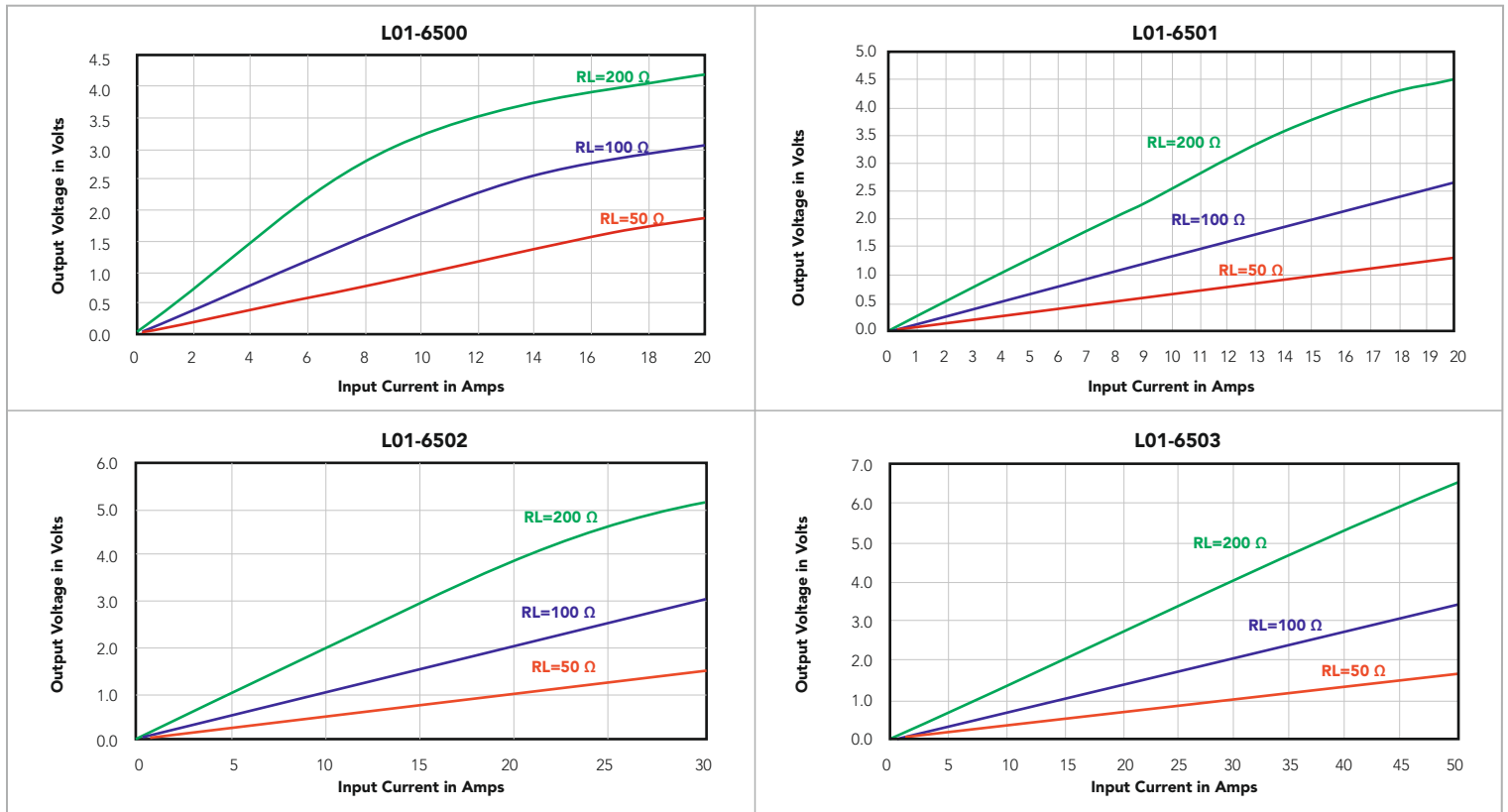
All Dimensions are in mm
Linear dimension tolerance ±0.2mm

Input Current Vs Output Voltage

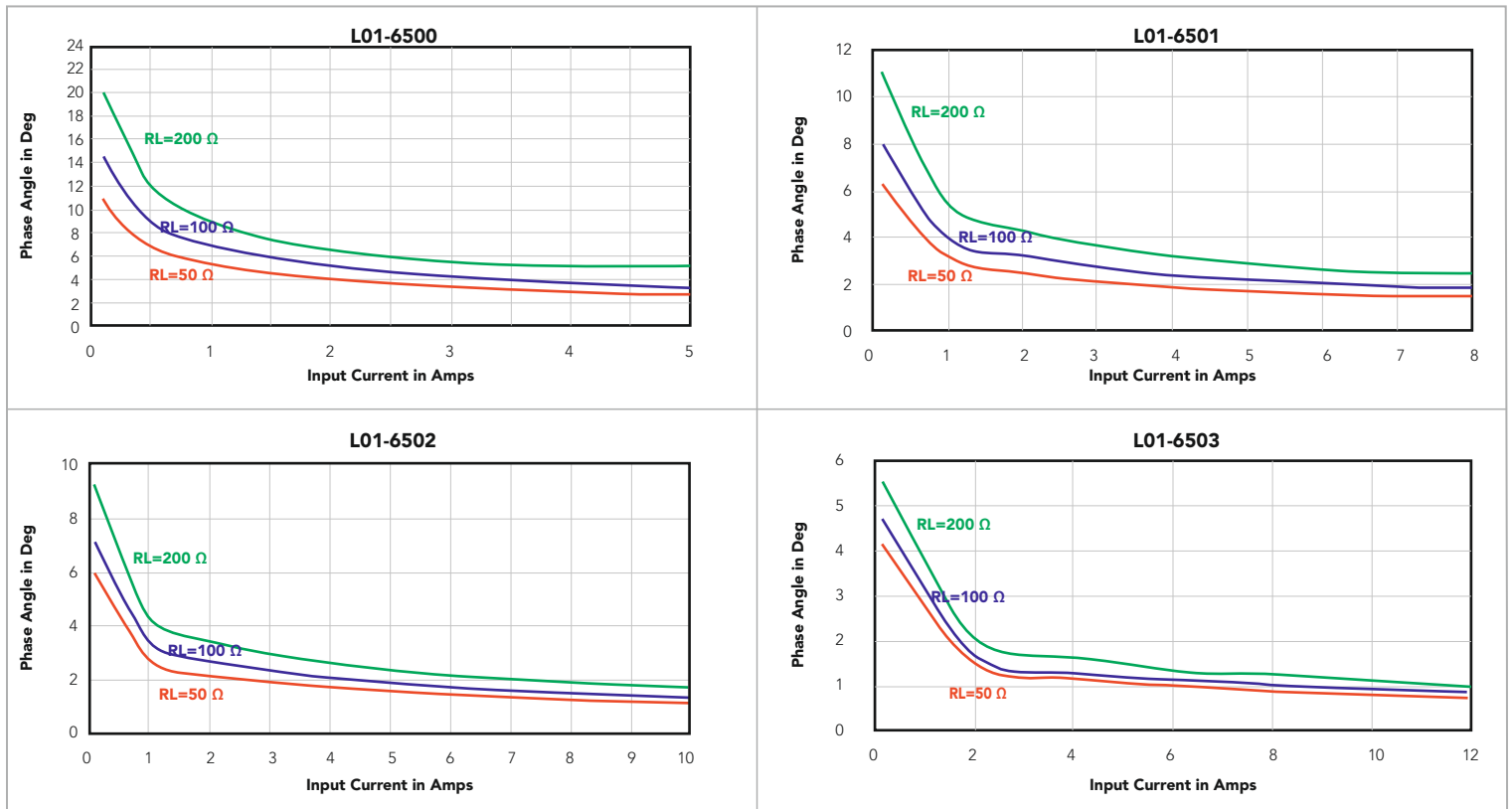


Transforming Power into Quality!

Saturation Current Response



Phase Angle Vs Primary Current



Product innovation is a part of continuous development hence specifications are subject to change without notice

Transforming Power into Quality!